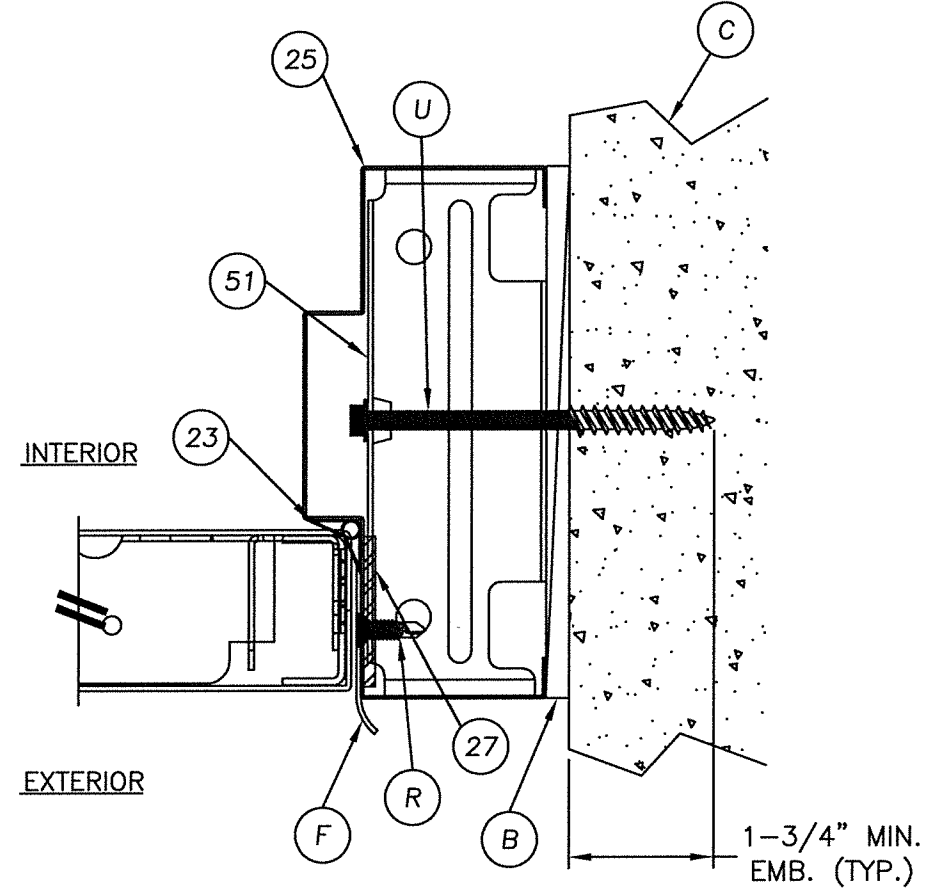
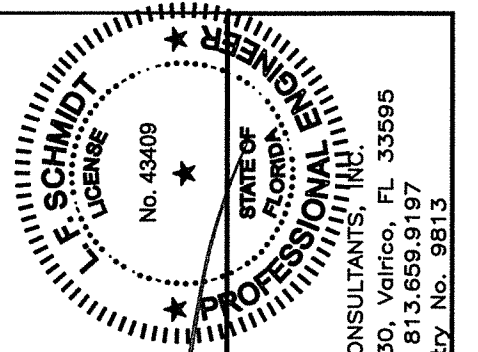


1 HORIZONTAL CROSS SECTION  
5 @ LATCH SHOWN WITH UNIVERSAL ANCHOR



2 HORIZONTAL CROSS SECTION  
5 @ LATCH SHOWN WITH UNIVERSAL ANCHOR



November 15, 2022  
 Documents Prepared By:  
 Lyndon F. Schmidt  
 P.E. No. 43409

*RW* BUILDING CONSULTANTS, INC.  
 P.O. Box 230, Valrico, FL 33595  
 Phone No.: 813.659.9197  
 FBPE Registry No. 9813

PRODUCT: PREMIER PRODUCTS, INC. "D" PANELS "IMPACT"	
PART OR ASSEMBLY: HORIZONTAL CROSS SECTIONS	
NO.	DATE
BY	REVISIONS
DATE: 11/10/22	
SCALE: N.T.S.	
DWG. BY: LFS	
CHK. BY: RW	
DRAWING NO.: FL-41788.12	
SHEET 5 OF 10	











